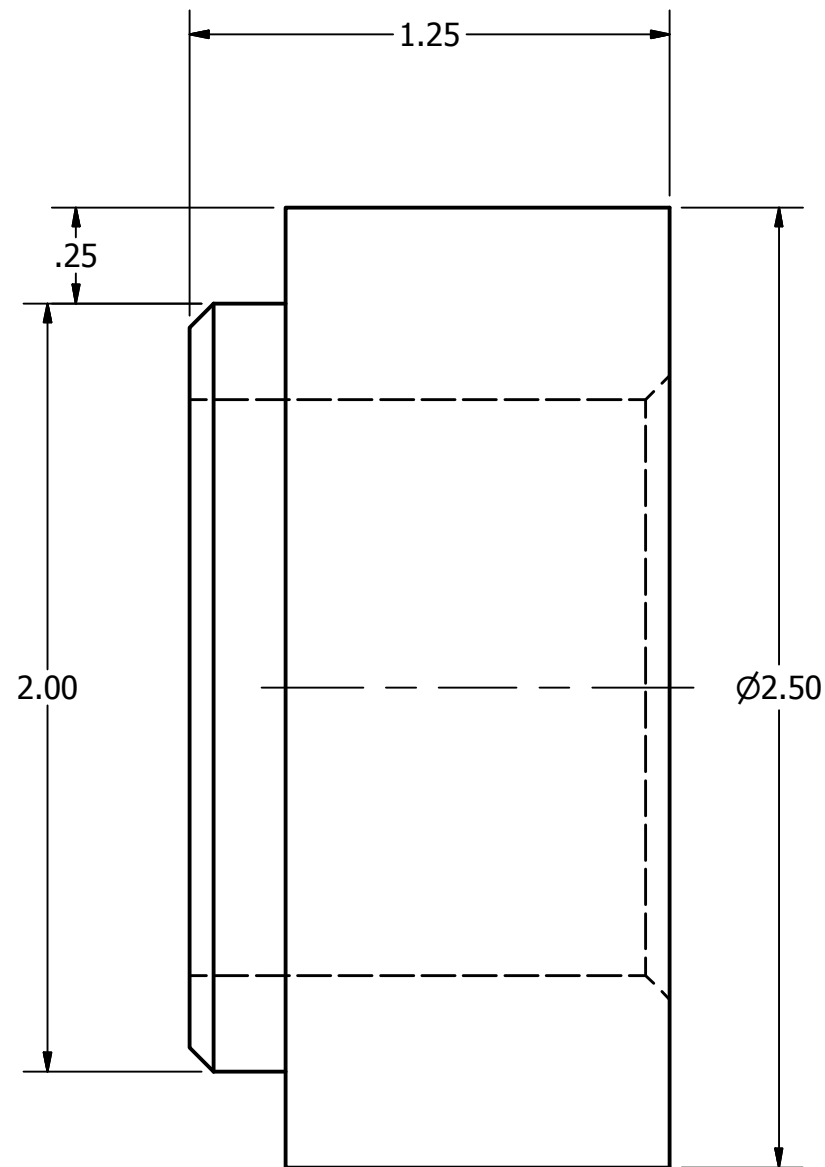
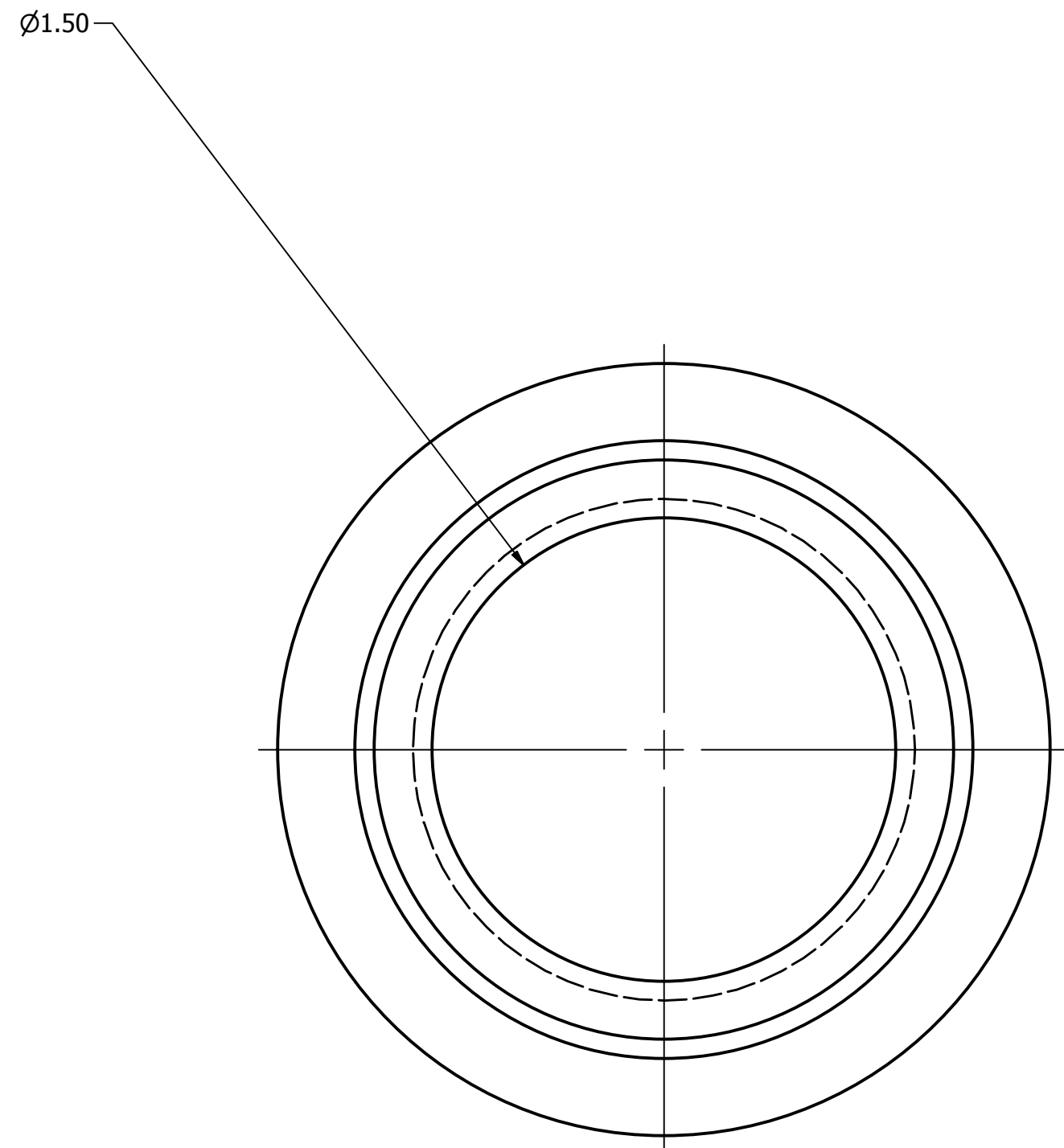


Chamfers: 45 x 1/16"



SECTION A-A
SCALE 2 : 1



DRAWN nguyenshanetriet0761	5/11/2015	Introduction To Design	
CHECKED Hung Luong			
QA Period 5		Collar 1 Shaft Support Assembly	
MFG			
APPROVED		SIZE C	DWG NO 5 Luong Hung Ch 15 Collar (1)
		SCALE	REV SHEET 1 OF 1

PRODUCED BY AN AUTODESK EDUCATIONAL PRODUCT

PRODUCED BY AN AUTODESK EDUCATIONAL PRODUCT