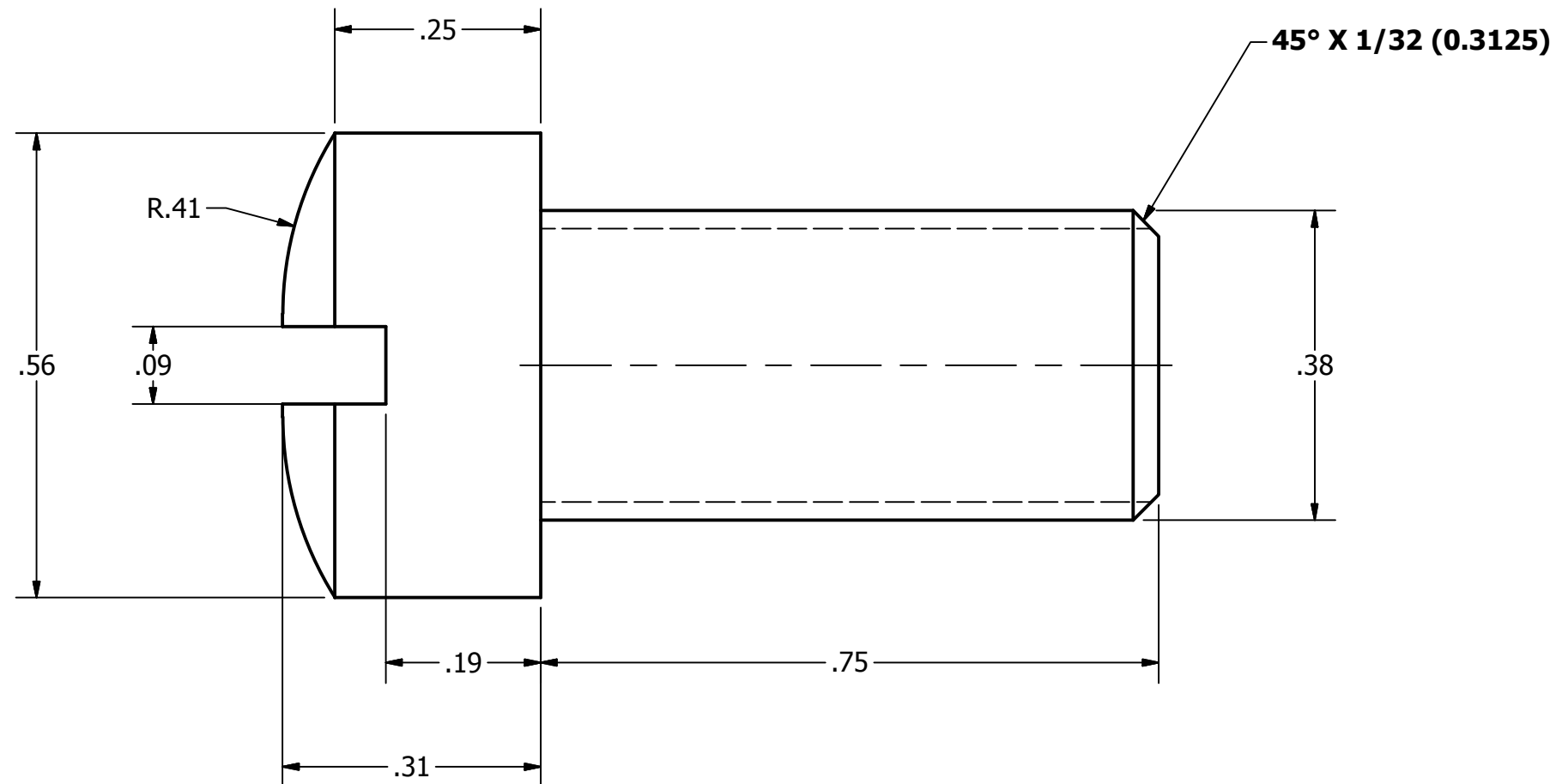
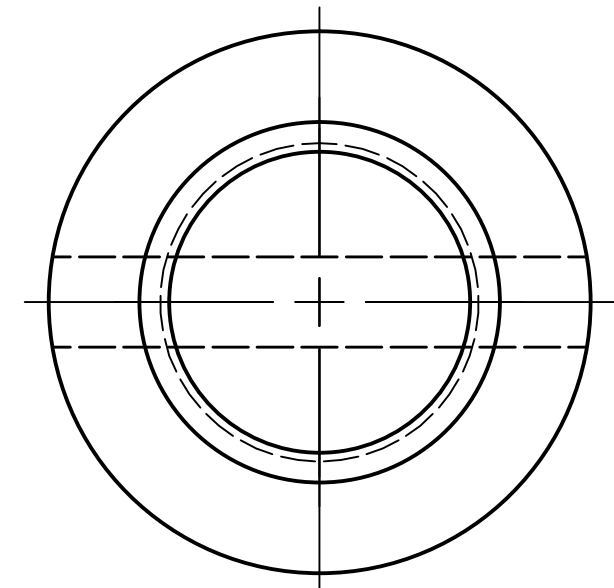


TOP VIEW



Screw threads not shown



BOTTOM VIEW

DRAWN luonghung342794		5/14/2015		Introduction To Design	
CHECKED Hung		Luong			
QA Period 5				Cap-Screw (4) Shaft Support Assembly	
MFG Scale 1:1					
APPROVED					
SIZE C		DWG NO 5 Luong Hung Cap-Screw (4)	REV		
SCALE		SHEET 1 OF 1			